



OMNETICS

CONNECTOR CORPORATION

...The World Leader in Nano Connection

Twist Lock Circulars

High Density Micro-Miniature Circulars

Omnetics micro series of circular connectors are now available with twist lock shells. The locking mechanism is a simple quarter turn, similar to those commonly used in BNC connectors. When combined with a jacketed cable, these connectors are available with an IP67 seal.

These high density multi-position connectors are available in sizes from 2-16 positions and have contacts arranged on a .050" (.64 mm) pitch. Utilizing a military quality contact system these connectors are ideal for applications where size weight and rugged reliability are critical.

Many standard and custom options are available including bulkhead mounts, cable harnesses, specialty metals and plating. Let Omnetics help with your next product design.



Material Specs	Electrical Specs
<p>Insulator: LCP, Vectra a130 per MIL-M-24519, Type GLCP-30F</p> <p>Sockets: Copper Alloy per MIL-DTL-83513</p> <p>Pins: Beryllium Copper per ASTM B194, Alloy C17200</p> <p>Contact Finish: Gold plate per ASTM B488, Type II (Hard Gold), Code C, Class 1.27, .000050" (1.27 μm)</p> <p>Metal Housing: Ni plated Brass or Black Oxide Stainless Steel</p>	<p>Current: 3 amp per contact</p> <p>Dielectric Withstanding Voltage: 600 VAC RMS</p> <p>Insulation Resistance: 5,000 Meg ohms min @ 500 VDC</p> <p>Contact Resistance: 26 milliohms (65 mv) max @ 2.5 amp</p> <p>Temperature: -25°C to 105°C (higher/lower ratings available unsealed)</p> <p>Vibration: 20 G's, no discontinuity greater than 10 microseconds</p> <p>Shock: 30 G's, no discontinuity greater than 10 microseconds</p> <p>Sealing: up to IP67, Consult Factory for more options</p>



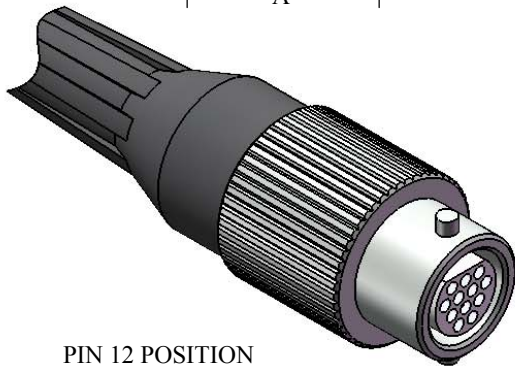
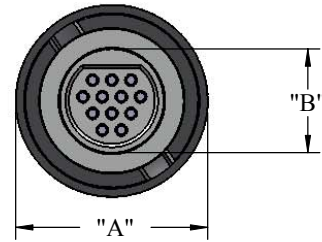
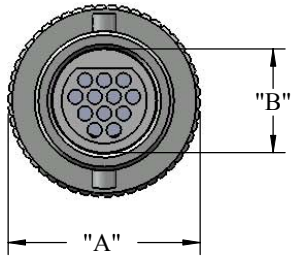
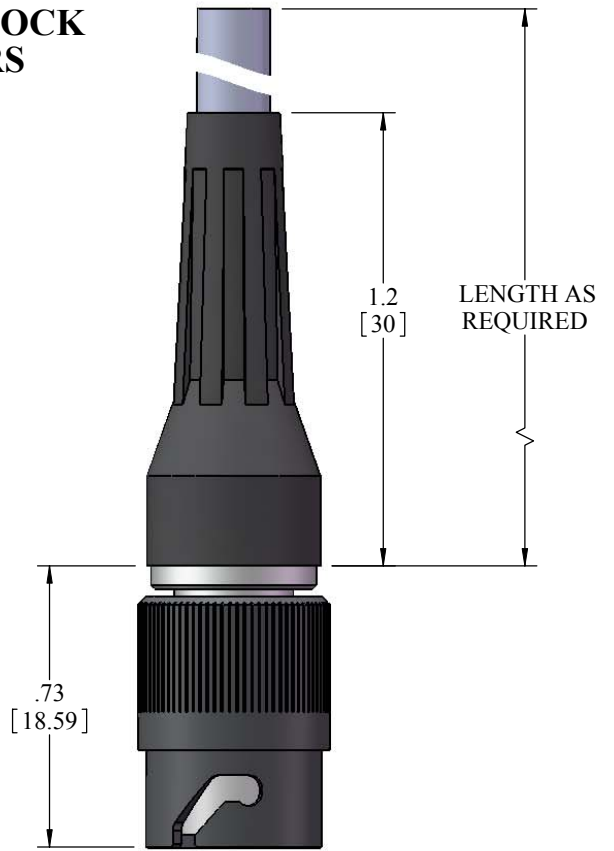
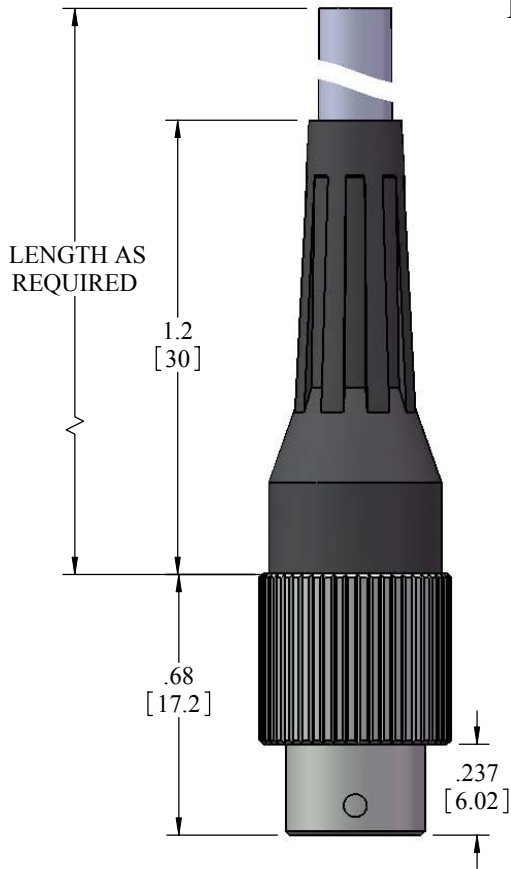
OMNETICS

CONNECTOR CORPORATION

7260 Commerce Circle East
Minneapolis, MN 55432 U.S.A.
1-763-572-0656

www.omnetics.com

MICRO TWIST LOCK CONNECTORS



PIN 12 POSITION
W/ CABLE AND STRAIN RELIEF



SOCKET 12 POSITION
W/ CABLE AND STRAIN RELIEF

ENGLISH (IN) METRIC (mm)

CONTACTS	"A"	"B"	"A"	"B"
5	0.418	0.220	10.62	5.59
12	0.500	0.270	12.70	6.86
16	0.559	0.325	14.20	8.26

7260 COMERCE CIRCLE EAST
MINNEAPOLIS, MN 55432
(763) 572-0656
WWW.OMNETICS.COM

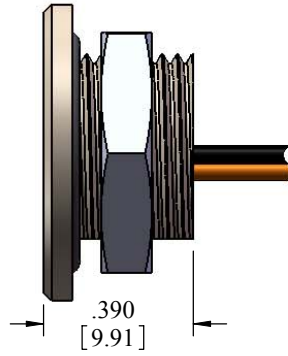
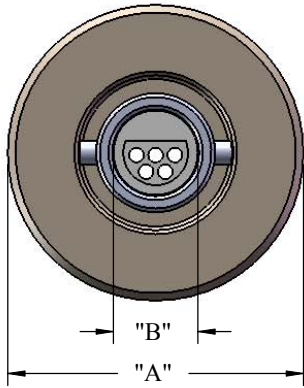
OMNETICS
CONNECTOR CORPORATION

TWIST LOCK
CIRCULAR
CONNECTORS

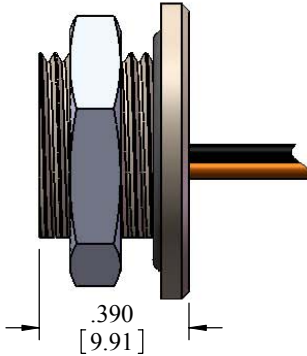
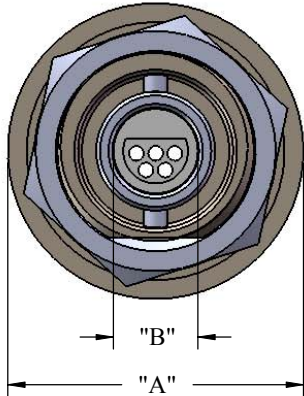
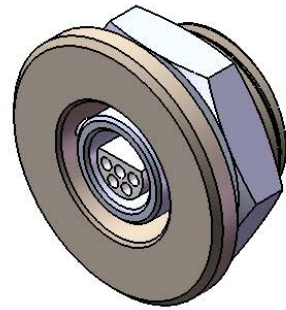
CAGE CODE:
61873

DIMENSIONS IN
INCHES ±.005
[mm] ±.13

PANEL MOUNT OPTIONS



5 POSITION FRONT PANEL MOUNT

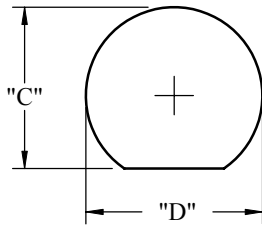


5 POSITION REAR PANEL MOUNT

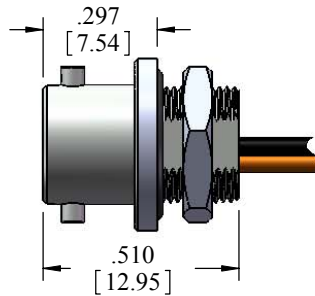
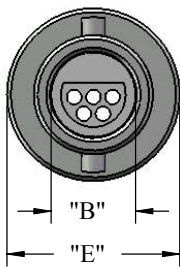


ENGLISH (IN)

METRIC (mm)



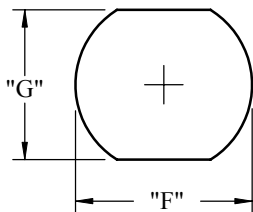
CONTACTS	"A"	"B"	"C"	"D"	"A"	"B"	"C"	"D"
5	0.770	0.220	0.489	0.520	19.56	5.59	12.42	13.21
12	0.820	0.270	0.560	0.600	20.83	6.86	14.22	15.24
16	0.875	0.325	0.610	0.640	22.23	8.26	15.49	16.26



5 POSITION PROTRUDING FRONT PANEL MOUNT
ENGLISH (IN)



METRIC (mm)



CONTACTS	"B"	"E"	"F"	"G"	"B"	"E"	"F"	"G"
5	0.220	0.450	0.323	0.258	5.59	11.43	8.20	6.55
12	0.270	0.472	0.362	0.331	6.86	11.99	9.19	8.41
16	0.325	0.576	0.446	0.383	8.26	14.63	11.33	9.73

7260 COMERCE CIRCLE EAST
MINNEAPOLIS, MN 55432
(763) 572-0656
WWW.OMNETICS.COM

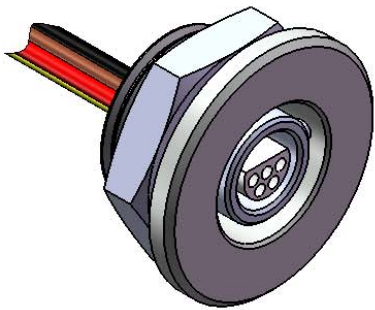
OMNETICS
CONNECTOR CORPORATION

TWIST LOCK
CIRCULAR
CONNECTORS

CAGE CODE:
61873

DIMENSIONS IN
INCHES ±.005
[mm] ±.13

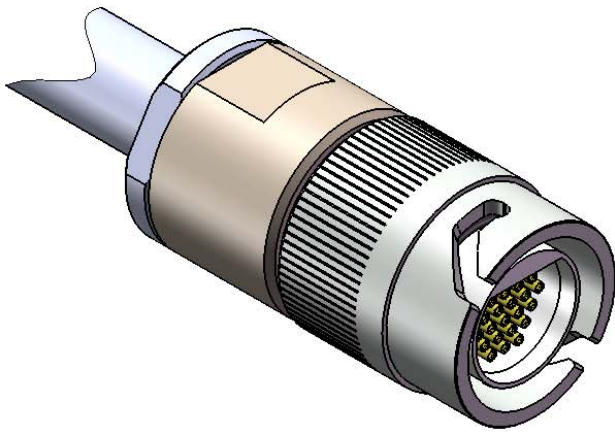
EXAMPLES



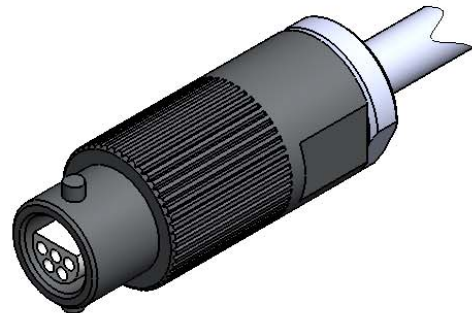
TMCP-05-WD-9.0-FP-NI



TMCS-12-WC-20.0-OR-SR-NI



TMCS-16-WC-6.0-IP67-OR-NI



TMCP-05-WC-12.0-IP67-SS

ORDERING GUIDE



Series	# of Contacts	Connection	Length	Options		Shell Material
TMCP (Pin Connector)	2 - 16	WD Discrete Wired	XX.X Length in Inches	C Color Coded	Pin Only FP Front Panel	NI Nickel Plated Brass
SR Strain Relief				RP Rear Panel		
TMCS (Socket Connector)		WC Cable		OR O-Ring	PP Protruding Panel	SS Black Oxide Stainless
				IP67 Rated (Cable Version Only)		

7260 COMERCE CIRCLE EAST
 MINNEAPOLIS, MN 55432
 (763) 572-0656
 WWW.OMNETICS.COM

OMNETICS
 CONNECTOR CORPORATION

TWIST LOCK
 CIRCULAR
 CONNECTORS

CAGE CODE:
61873

DIMENSIONS IN
 INCHES ±.005
 [mm] ±.13